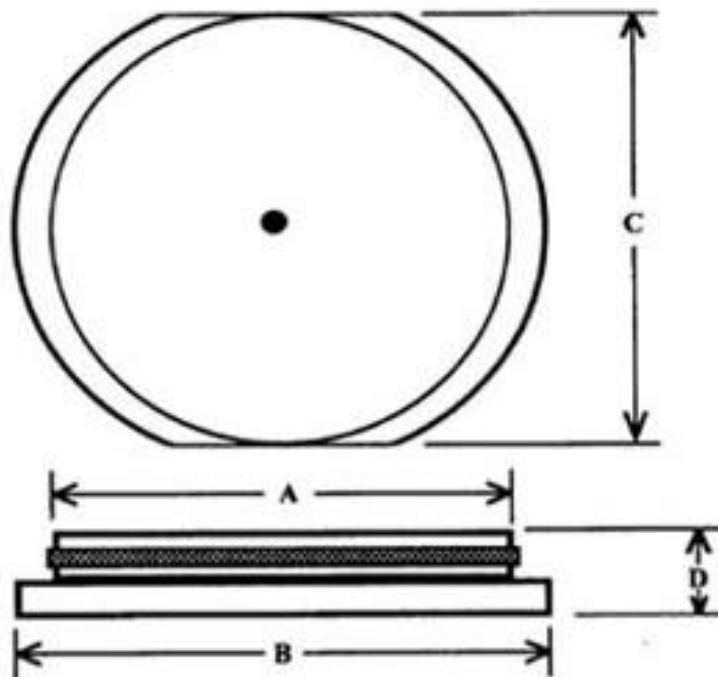


ROTAB[®] FWS Series

Precision Freewheeling Rotary Tables Low Profile ~ Hardened Steel Construction **GENERAL DIMENSIONS**



FACEPLATE DIAMETER		6"	8"	10"	12"	15"	18"	24"
Standard Grade	flatness	0.0003	0.0005	0.0005	0.0005	0.0006	0.001	0.0015
	run-out	0.0002	0.0002	0.0002	0.0003	0.0003	0.0005	0.0005
Precision Grade	flatness	0.000075	0.0001	0.0001	0.0001	0.00015	0.00015	0.0002
	run-out	0.000035	0.00004	0.00005	0.00005	0.00005	0.00006	0.0001
S I Z E	A	6"	8"	10"	12"	15"	18"	24"
	B	8"	10"	12"	14"	17"	20"	26"
	C	6.10"	8.10"	10.10"	12.10"	15.10"	18.10"	24.10"
	D	1.5"	2"	2"	2"	3"	3"	4"
Capacity (lbs.)		75	200	500	750	1000	1500	2200
Weight (lbs.)		12	30	45	65	145	200	475