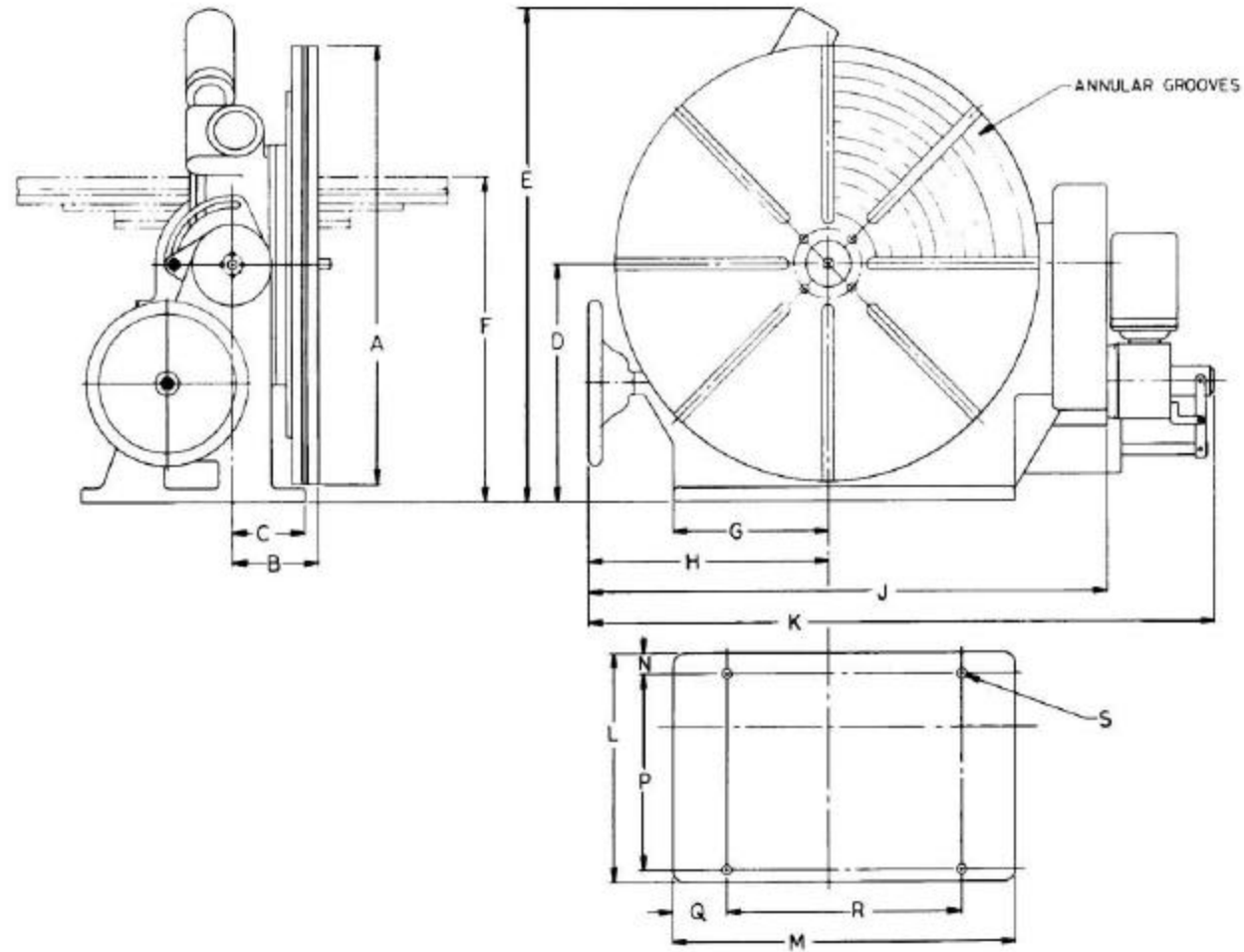


ROTAB® Model
TRT or TRT/S
Tilting Rotary Tables
Engineering
Dimensions



	A	B	C	D	E	F	G	H	J	K	L	M	N	P	Q	R	S DIA	T-Slots		APPROX. SHIPPING WEIGHT
																		No.	Size	
Model 12	12	3.50	3.13	6.81	15.81	10.31	6.56	8.38	18.25	--	9.00	13.13	0.50	8.00	2.06	9.00	.41	4	.38	157 lbs.
Model 18	18	4.75	4.00	10.00	23.75	14.75	10.38	17.00	30.38	--	12.75	20.00	1.00	10.88	1.50	17.00	.56	8	.38	275 lbs.
Model 24	24	6.75	5.88	15.25	38.00	21.50	11.56	18.00	34.25	41.75	17.50	22.25	1.00	15.50	3.38	15.50	.69	8	.50	974 lbs.
Model 36	36	8.00	6.75	20.00	44.50	28.00	13.25	22.13	45.00	51.50	20.50	27.13	1.50	18.00	3.06	21.00	.69	8	.50	1,950 lbs.
Model 48	48	9.50	8.13	26.00	55.50	35.50	17.75	27.00	58.50	69.50	25.38	38.75	2.13	22.00	5.38	28.00	.81	8	.63	3,850 lbs.
Model 60	60	11.88	9.00	31.00	61.00	42.88	28.00	35.00	--	3.75	36.00	71.63	1.50	33.00	2.81	66.00	1.06	16	.75	9,100 lbs.
Model 72	72	16.00	15.75	39.00	75.00	55.00	30.00	35.00	--	5.00	45.75	75.63	1.50	42.75	4.81	66.00	1.06	16	.75	12,100 lbs.
Model 84	84	16.00	15.75	46.00	92.00	62.00	30.00	35.00	--	102.0	45.75	75.63	1.50	42.75	4.81	66.00	1.06	16	.75	14,100 lbs.